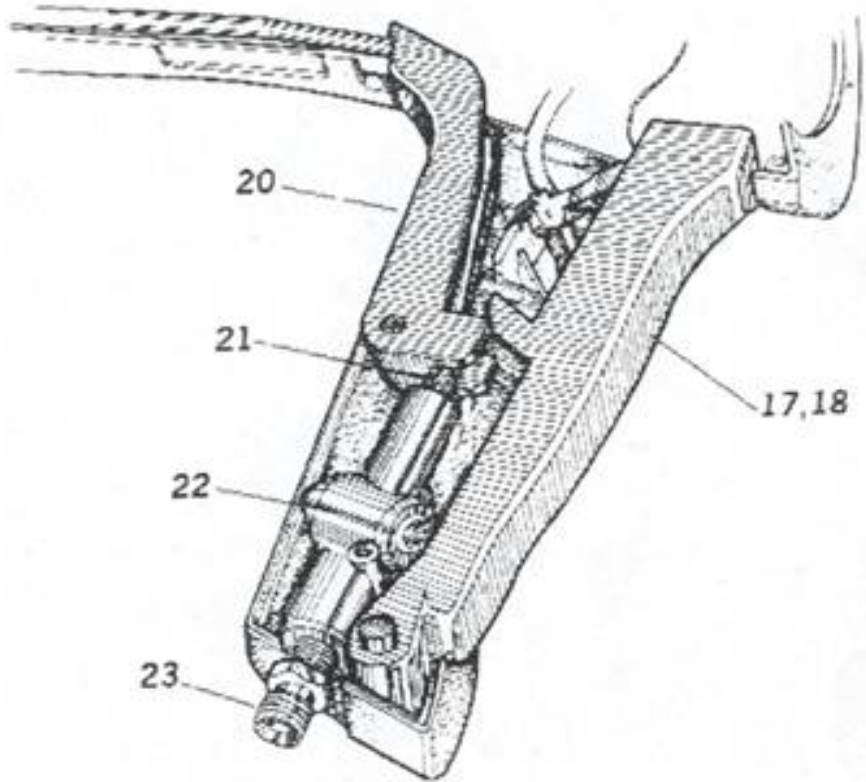
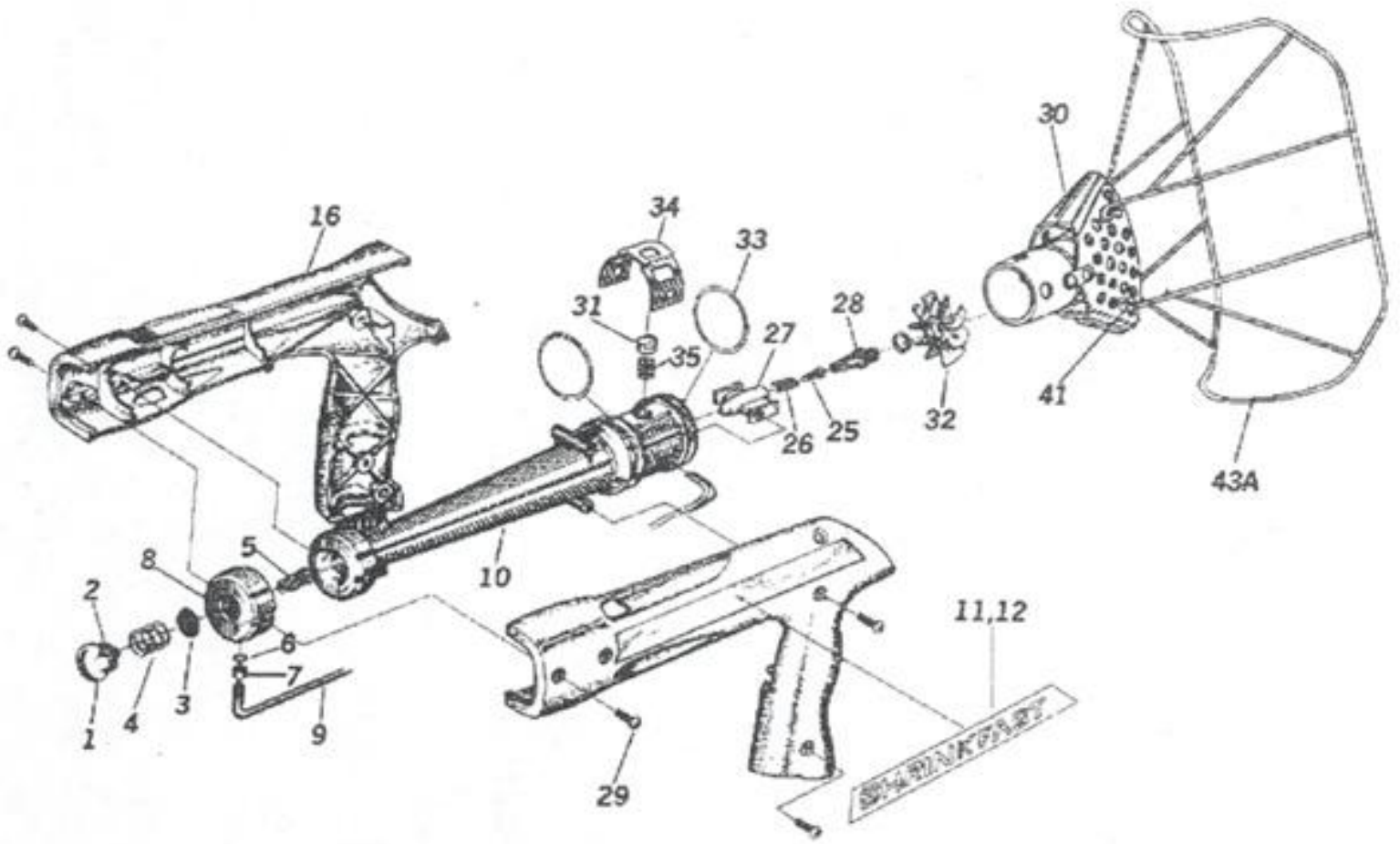


The Model 998



Key	Description	Key	Description
1	Filter Holder	25	Contact Screw
2	"O" Ring	26	Contact Spring
3	Filter (disc)	27	Socket
4	Filter Spring	28	Spark Plug
5	Orifice Assy.	29	Assy. Screws
6 &	"O" Ring	30	Combustor
24	Retainer	31	Button
7	Inlet	32	Flameholder
8	Fuel Line	33	"O" Ring
9	Pump Body	34	Strap
10	Label, RH	35	Button Spring
11	Label, LH	36A	Hose Assy-US (Not Shown)
12	Name Plate, Euro	37	Regulator (Not Shown)
14	(Not Shown)	38-1	Shown)
15	Housing, RH	39	POL Fitting
16	Housing, LH	40	(Not Shown)
17 &	Trigger/Igniter	41	Gauge (Not Shown)
18	Assy.	43A	Shown)
20	Safety	44A	Metal Box (Not Shown)
21	Spring		Guard Screw
22	Valve Assy.		UL Guard
23A	Hose Adapter-US		Wrench-US (Not Shown)