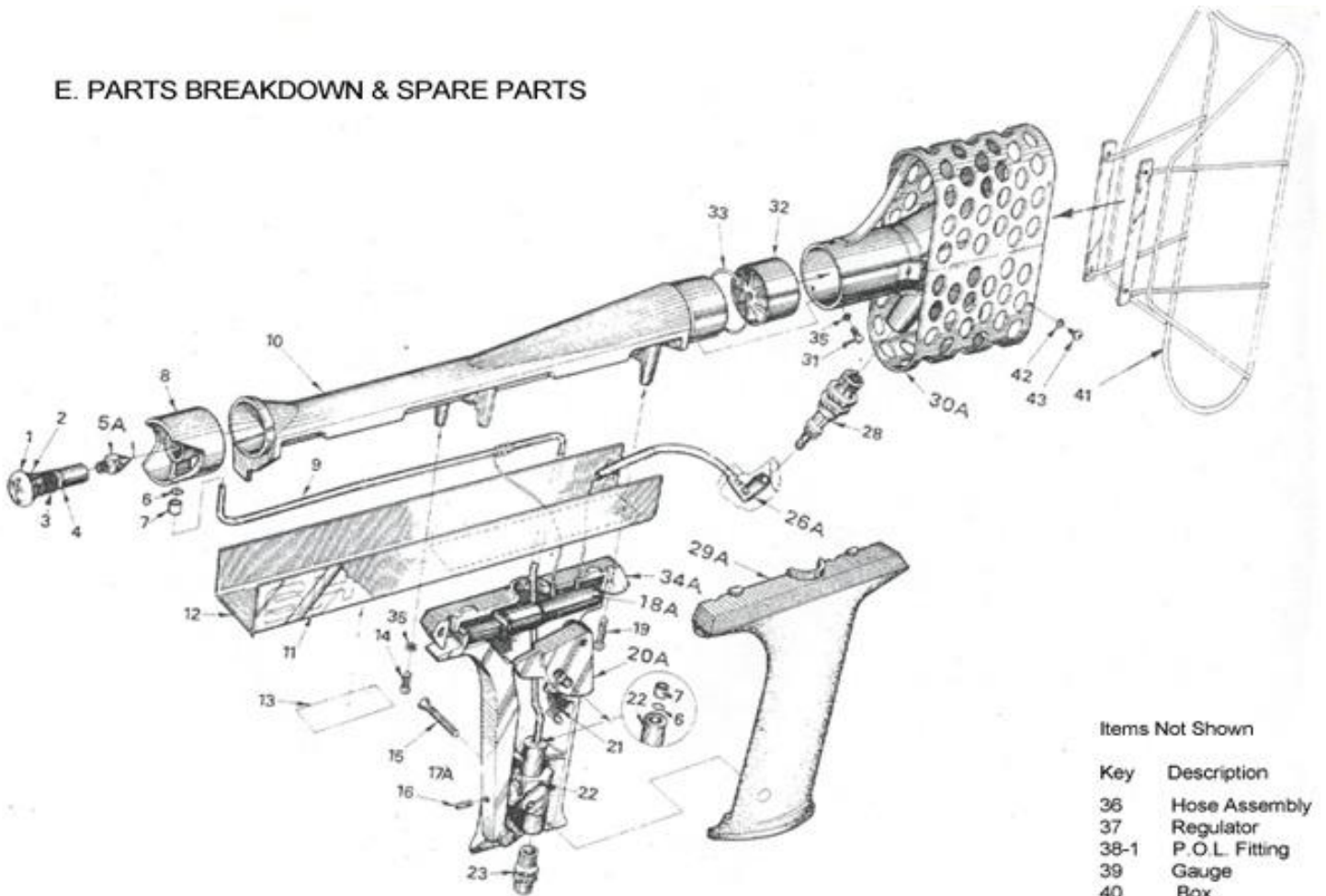


# The Model 975

## E. PARTS BREAKDOWN & SPARE PARTS



### Items Not Shown

| Key  | Description    |
|------|----------------|
| 36   | Hose Assembly  |
| 37   | Regulator      |
| 38-1 | P.O.L. Fitting |
| 39   | Gauge          |
| 40   | Box            |

**Key Description**

1 Orifice Holder  
2\* "O" Ring  
3\* Filter  
4\* "O" Ring  
5A Orifice  
6\* "O" Ring  
7 Retainer  
8 Inlet  
9 Fuel Line  
10 Body  
11 Label  
12 Channel  
13 Serial No. Label  
14 Rd. Hd. Phil Scr.  
15 Flat Hd. Phil Hd.  
16 Scr.  
17A Slot Set. Scr.  
18A Trigger  
19 Igniter  
20 Rd. Hd. Phil. Hd.  
Scr.  
Safety

**Key Description**

21 Spring  
22\* Valve Assem.  
23 Hose Adapter  
26A UL Boot &  
28 Connector  
29A Spark Plug  
30A Handle - R.S.  
31 Combustor  
32\* Rd. Hd. Phil. Scr.  
33\* Flame Holder  
34A "O" Ring  
35 Handle - L.S.  
36 Lock Washer  
37 Hose Assembly  
38- Regulator  
1 P.O.L. Fitting  
39 Gauge  
40 Box  
41 UL Gaurd  
42 Washer  
43 Screw

\* Suggested Spare Parts